

Identification Data



December 8, 2021
 LAB GROWN DIAMOND
 Certificate No: 313230273

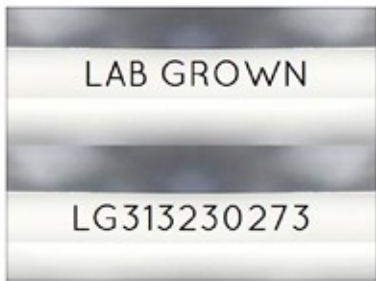


Gemprint is the unique optical fingerprint for positive identification of your lab grown diamond. Register your lab grown diamond at www.Gemprint.com and receive insurance discounts up to 10%.



Laser Inscription:

The illustration depicts enlarged and approximate appearances of the inscriptions. Girdle laser inscribed "LAB GROWN" and "LG313230273"



The 4Cs Grading Analysis

GCAL 313230273

LAB GROWN DIAMOND*

Carat Weight: 2.01

Cut: Excellent
Shape: Princess
Measurements: 6.78x6.73x4.86mm
Optical Brilliance: Excellent
Optical Symmetry: Very Good
Polish: Very Good
External Symmetry: Very Good
Girdle Thickness: Thick
Culet Size: None

Color: G
Fluorescence: None

Clarity: VS2
Identifying Characteristic(s): Clouds/Feather
Characteristic Location(s): Crown Step, Table/Crown Step

*Comments: This laboratory grown diamond was created by the CVD (Chemical Vapor Deposition) method, and has the same chemical, physical, and optical properties as a mined diamond. This diamond is Type IIa, which means it is devoid of nitrogen impurities.

Photomicrographs:

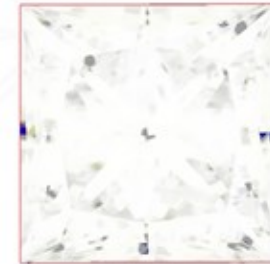
Actual images of the crown (top) and pavilion (bottom) of this diamond photographed at magnifications up to 10x.



Light Performance Profile

Optical Brilliance Analysis:

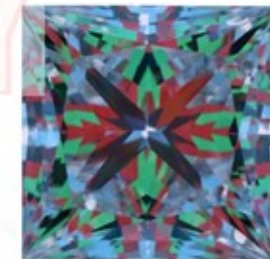
Brilliance is the overall return of light to the viewer. The brilliance image is a representation of (a) white areas of light return, or brilliance, and (b) dark-blue areas of light loss.



Optical Brilliance
Excellent

Optical Symmetry Analysis:

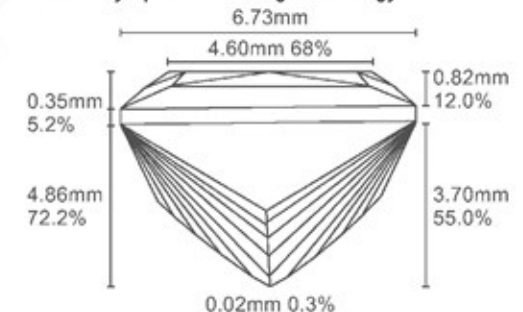
The colored areas of the symmetry image are indications of light handling ability, giving a visual representation of proportions and facet alignment.



Optical Symmetry
Very Good

Proportion Diagram:

The proportion diagram illustrates the actual dimensions as recorded by optical scanning technology.



GCAL GEM CERTIFICATION & ASSURANCE LAB
 ISO 17025 ACCREDITED FORENSIC LABORATORY

580 Fifth Ave LL-05
 New York, NY 10036
 T 212-869-8985
 GCALUSA.com



ISO/IEC 17025 2017
 ANAB L2177-1 Accredited Testing Lab